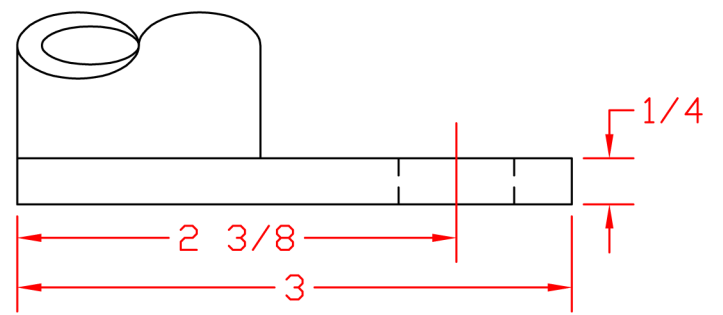
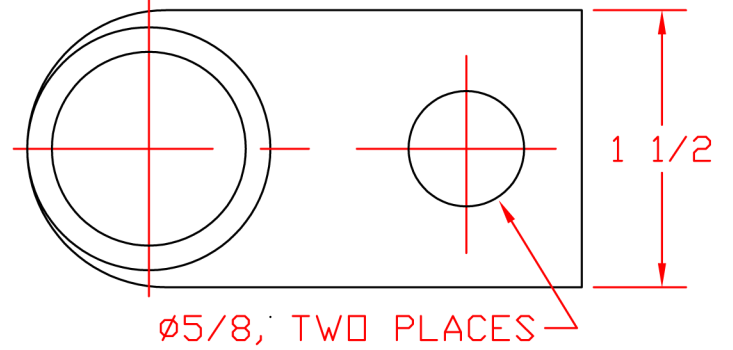
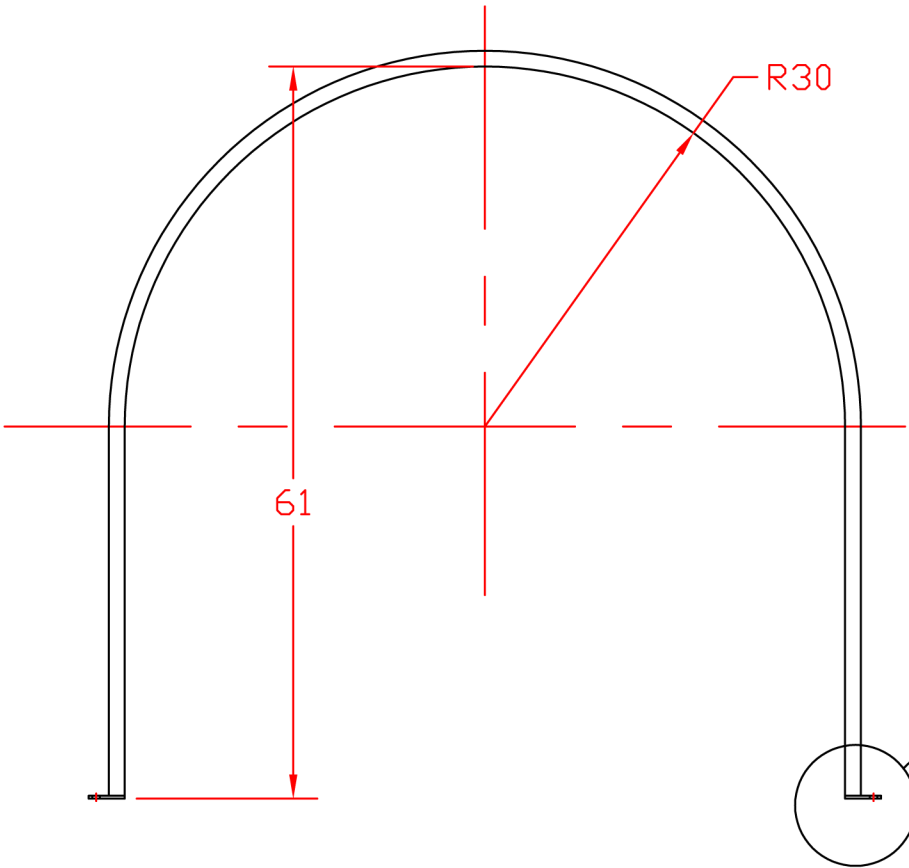


| REVISIONS |     |             |      |          |
|-----------|-----|-------------|------|----------|
| ZONE      | REV | DESCRIPTION | DATE | APPROVED |
|           |     |             |      |          |



FULL SCALE DETAIL

NOTE: WELD WITH LOW HYDROGEN ROD  
 FINISH: HOT DIPPED GALVANIZED


**PEABODY**  
 engineering  
*No Boundaries.*

BAND, 925 HORIZONTAL TANKS

|            |         |           |          |         |     |
|------------|---------|-----------|----------|---------|-----|
| JTP        | 15SEP00 | SIZE<br>A | FSCM NO. | DWG NO. | REV |
| SCALE 1/16 |         |           | SHEET    |         |     |